



Product Change Notification



Product Group: Opto Sensors & IRDC 26-JUN-2008 / PCN - OSI-195-2008 Rev. 0

TITLE: Product Discontinuation - EOL TCPT1200/TCPT1200X01 / TC

DESCRIPTION OF CHANGE: Our SMD Transmissive Sensors TCPT1200/TCPT1200X01 and TCUT1200/TCUT1200X01 will be discontinued. The recommended alternatives are our AEC-Q101 qualified parts: 1) TCPT1300X01 (as replacement for TCPT1200/TCPT1200X01). 2) TCUT1300X01 (as replacement for TCUT1200/TCUT1200X01). The attached FAST FACT "Replacement of TCxT1200/TCxT1200X01 with TCxT1300X01" will provide further details.

CLASSIFICATION OF CHANGE: Product Obsolescence

REASON FOR CHANGE: The increasing quality requirements makes new package Designs necessary in order to withstand the high reliability market demands. In this context, we have developed our TCxT1300X01 devices, which are fully qualified according to the high quality automotive standard AEC-Q101. The new parts are already running successful in production for more than 1 year and will replace now the "old" parts. Furthermore, we took care on the mechanical limitations our customers incurred with the 2mm gap TCxT1200 devices and implemented a wider gap, now 3mm, in our TCxT1300X01 devices. The wider gap allows greater mechanical tolerances of the moving objects through the gap, while the electro-optical characteristics of the Sensor could be maintained.

PRODUCT CATEGORY: Optical sensors

PART NUMBERS / SERIES / FAMILIES AFFECTED:

TCPT1200 / TCPT1200X01 / TCUT1200 / TCUT1200X01

VISHAY BRAND(s): VISHAY SEMICONDUCTORS

TIME SCHEDULE:

Last Time Buy Date: 01-JUL-2009
Last Time Shipment Date: 31-DEC-2009

SAMPLES AVAILABILITY: 27-JUN-2008

This PCN is considered approved, without further notification, unless we receive specific customer concerns before: 01-OCT-2008 or as specified by contract.

ISSUED BY:

PM: Jörg Wedermann, Product Marketing Sensors
Phone: +49-7131-67-3027
Email: joerg.wedermann@vishay.com

For further Information, please contact your regional Vishay office.

CONTACT INFORMATION:

VISHAY Semiconductor GmbH
Regional Marketing Europe Opto
Theresienstr. 2
D-74025 Heilbronn
Germany
Phone: +49-7131-672976
Fax: +49-7131-673144

VISHAY Intertechnology Asia Pte. Ltd.
Regional Marketing Asia/Japan
25 Tampines Street 92
Keppel Building # 02-00
Singapore 528877
Phone: +65-6788-6668
Fax: +65-6788-3383

VISHAY Intertechnologies, Inc.
Regional Marketing The Americas - Opto
2201 Laurelwood Road
M/S 55ggg
Santa Clara, CA 95014
USA
Phone: +1-408-567-8317
Fax: +1-408-567-8371



Product Change Notification



Product Group: Opto Sensors & IRDC 26-JUN-2008 / PCN - OSI-195-2008 Rev. 0

Attached Part Number List:

Material list

TCUT1200
TCUT1200X01

TCPT1200
TCPT1200X01

66910000090301-01
66910000630



Author: Karl Schoppe
Application Sensors
Tel: ++49-7131-67-2621
E-mail: karl.schoppe@vishay.com

Replacement of TCPT1200 and TCUT1200 by TCPT1300X01 respectively TCUT1300X01 (in Accordance with PCN-OSI-195-2008)

Dear Vishay Customer, dear Vishay Sales Person,

Replacement of TCPT1200 and TCUT1200 by TCPT1300X01, respectively TCUT1300X01, will be easy considering design hints below. Most of the specifications are compatible but there are still some differences, shown in table 1 for TCPT1300X01 and table 2, for TCUT1300X01. Figure 1 and figure 2 additionally illustrate mechanical deviations of package outline and solder pads.

Different specifications	TCPT1200	TCPT1300X01	Unit	TCPT1300X01 Design-in
AEC-Q101 release	No	Yes		For Automotive applications
Gap dimension	2	3	mm	Compatible design (see fig. 1)
V_{CE0}	70	20	V	No redesign if $V_{CC} < 20V$
C_i	50	25	pF	Minor change
Moisture sensitivity level	3	1		No limit for floor life
Package outlines:				
Length	5	5,5	mm	Check dimension (see fig. 1)
Contact pitch	2,2	2,8	mm	Redesign solder pads (see fig. 2)

Table 1: Different specifications of TCPT1200 and TCPT1300X01

Different specifications	TCUT1200	TCUT1300X01	Unit	TCUT1300X01 Design-in
AEC-Q101 release	No	Yes		For Automotive applications
Gap dimension	2	3	mm	Compatible design (see fig. 1)
V_{CE0}	70	20	V	No redesign if $V_{CC} < 20V$
C_i	50	25	pF	Minor change
Moisture sensitivity level	3	1		No limit for floor life
Package outlines:				
Length	5	5,5	mm	Check dimension (see fig. 1)

Table 2: Different specifications of TCUT1200 and TCUT1300X01

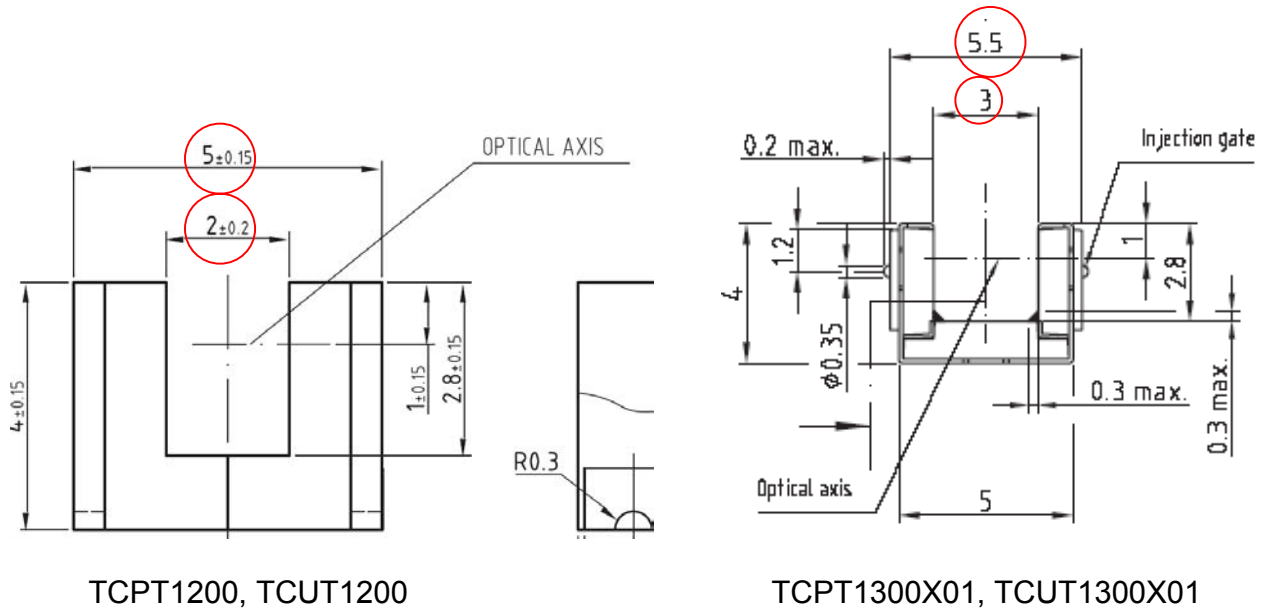


Figure 1. Different dimension of gap, respectively length of package

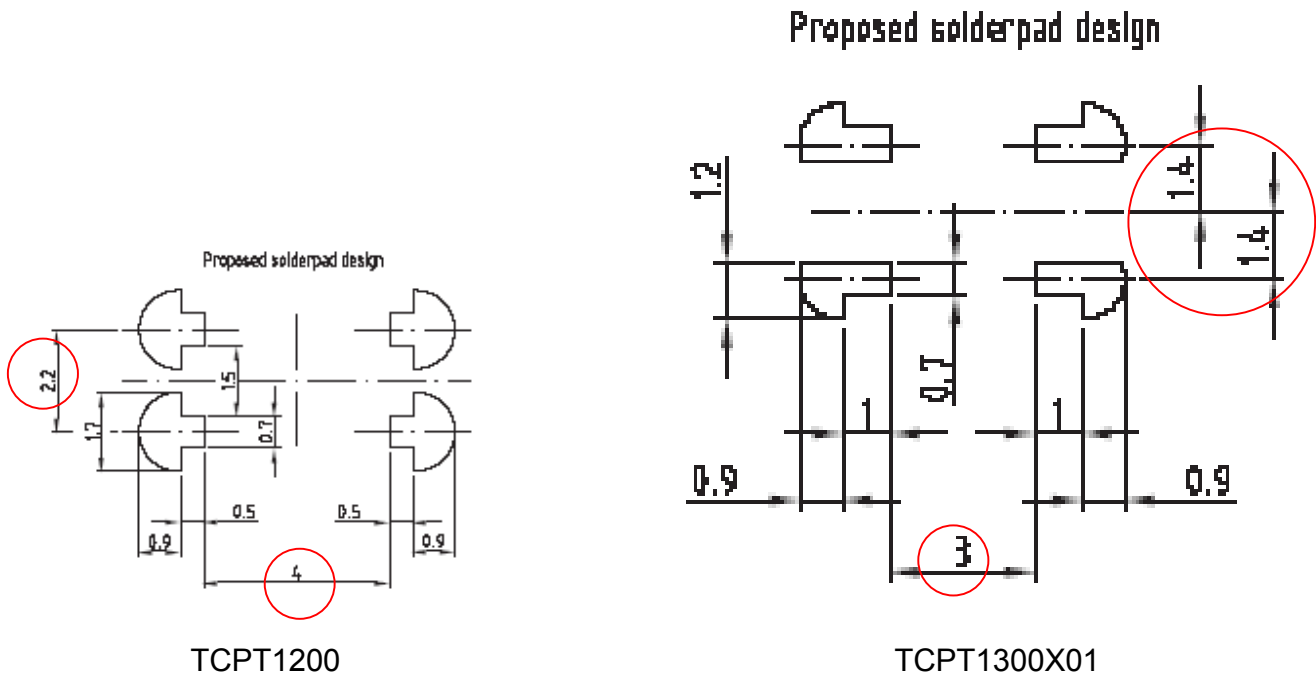


Figure 2. Different solder pad layouts



Fast Facts



Vishay Semiconductors - Optoelectronics Division / May 2006

Please do not hesitate to contact the division in case you have any questions.

Thanks for supporting Vishay Optoelectronics.

Joerg Wedermann
Director Product Marketing - Sensors
Vishay Intertechnology, Inc.
+49 7131 67 3027
Email: joerg.wedermann@vishay.com

Contact Information:

North America

Mr. Phil Cohen
Vishay Americas, Inc.
+1 408 567 8324

Europe

Mr. Kai Rottenberger
Vishay Semiconductor GmbH
+49 71 31 67 2113

Asia

Mr. Jason Soon
Vishay Intertechnology Asia Pte. Ltd.
+65 6780 7879



Fast Facts



Vishay Semiconductors - Optoelectronics Division / May 2006

phil.cohen@Vishay.com

kai.rottenberger@Vishay.com

jason.soon@Vishay.com